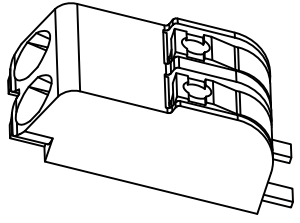


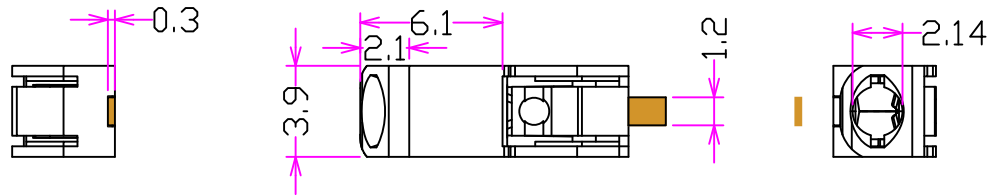
REV	修订记录	绘图/日期	审核/日期
A	新发行	###/2015/01/04	



Material characteristics

Mounting Hardware: Phosphor bronze,
Tin planting

Plastic Parts: PA9T UL94V-0



Technical Parameters

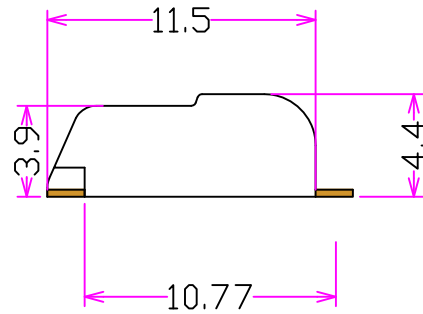
Reference standards: UL1977

Rated Voltage: 300V

Rated Current: 9A

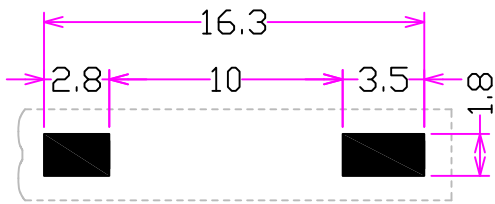
Wire size: AWG24-18

Stripping Length: 7~9mm/0.28~0.35in



Taping packing

1500PCS/R



SMD 1P PCB board welding

Without individual tolerance reference					Drawing Categories	Product Diagram	Part No.	*****		Item No.	CM-2060-1P	Fucon
0.5~3	3~6	6~30	30~120	>120	Dimension units	m m	Drawing No.	G043-1		No.		
±0.08	±0.15	±0.20	±0.30	±0.40	Projection Method	⊕	Scale	1:1	Page	A4	Type	SMD Terminal Block