

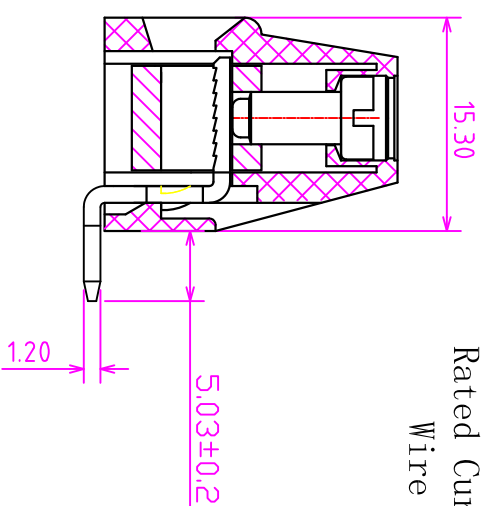
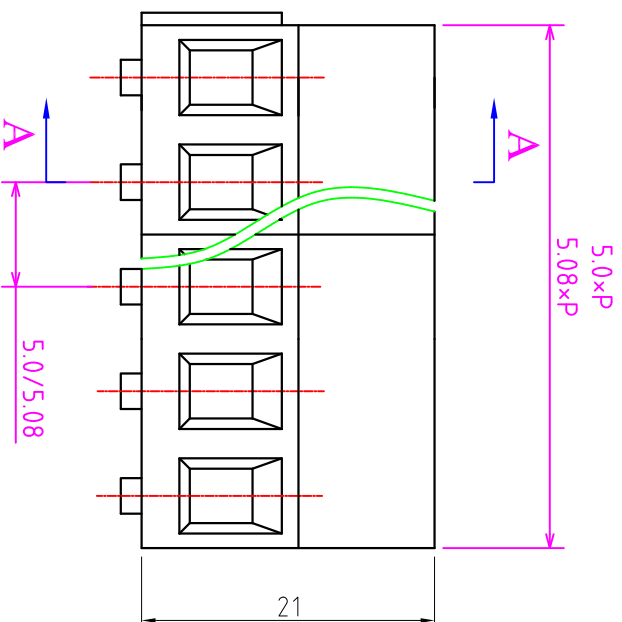
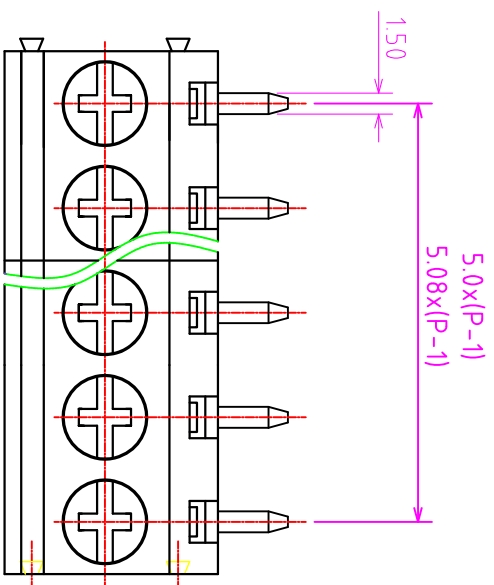
REV	修订记录	绘图/日期	审核/日期
A	新发行	余 旭/2014/08/25	

Material characteristic

Material
 Scerw: M2.5 Carbon steel
 Hardware: Copper
 Tin plating
 Plastic Parts: PA66 UL94V-0

Technical Parameters

Reference standards: UL
 Rated Voltage: 300V
 Rated Current: 10A
 Wire size: AWG22-12



SECTION A-A

Without individual tolerance reference	Bearing dimension	Product	Part	Material	Scale
0.5~3	3~6	M	M	G005-1	1:1
±0.08	±0.15	±0.20	±0.30	±0.40	1:1

CM-128R-5.0/5.08-XXP
 PCB Screw Terminal Block

