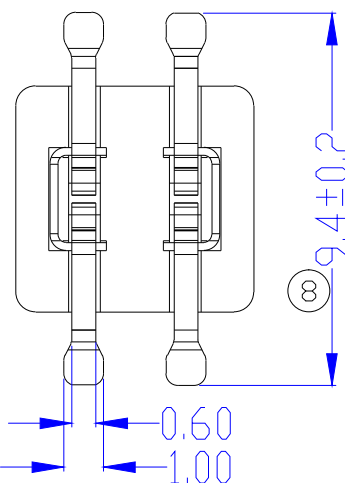
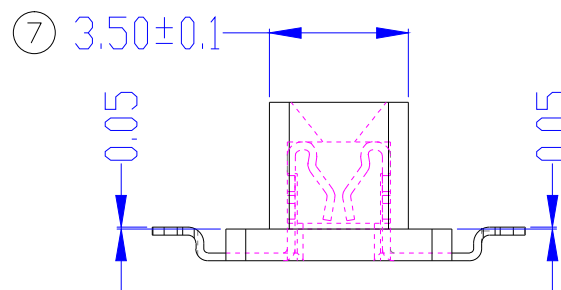
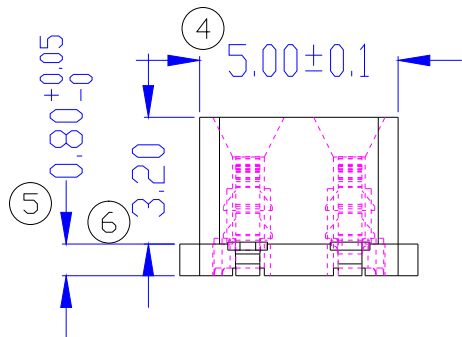
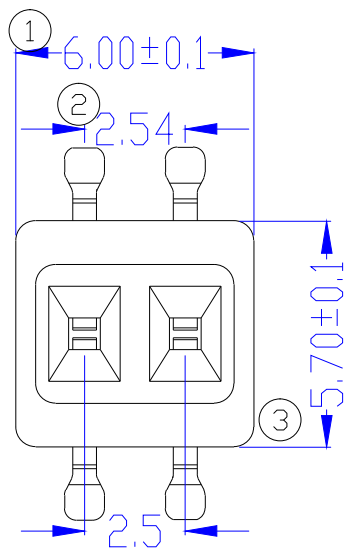
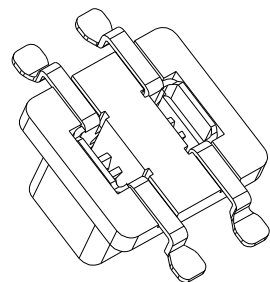
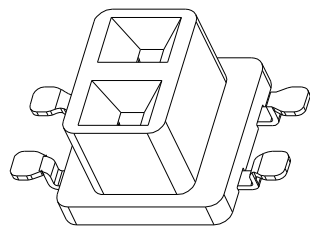


REV	修订记录	绘图/日期	审核/日期
A	新发行	鲁永伟/2016/01/06	



Material characteristics:


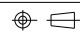
Plastic parts: PA9T UL 94V-0

Metal: Phosphor bronze C5191

Planting requirement: First, Nickel planting 1~2 μ m ;
Second , Tin planting 3~5 μ m

Technical parameters

UL1977
Rated Voltage: 300V
Rated Current: 2A
Reflow temperature : 260°C

Without individual tolerance reference					Drawing Categories	Product Diagram	Part No.	*****			Item No.	CM-2035-1	
0.5~3	3~6	6~30	30~120	>120	Dimension units	mm	Drawing No.				Type	SMD Terminal Block	
±0.08	±0.15	±0.20	±0.30	±0.40	Projection Method		Scale	1:1	Page	A4			

Autodesk

Autodesk

F

Autodesk