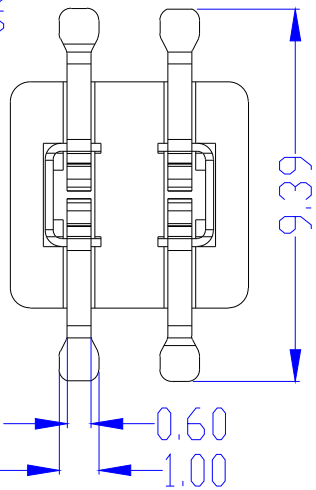
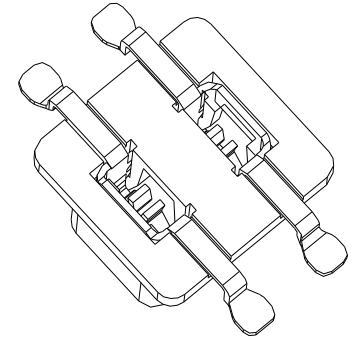
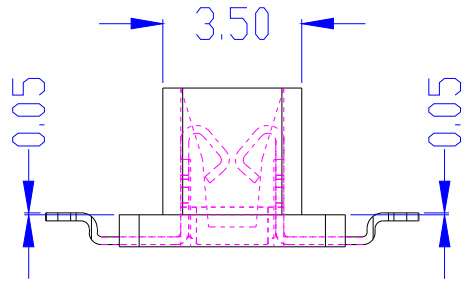
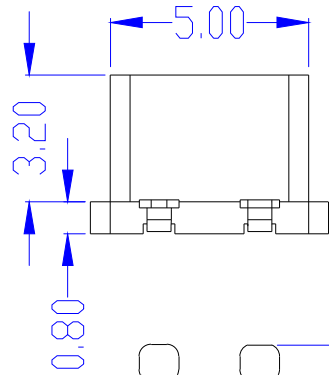
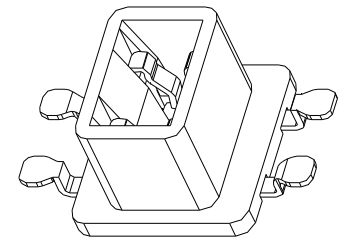
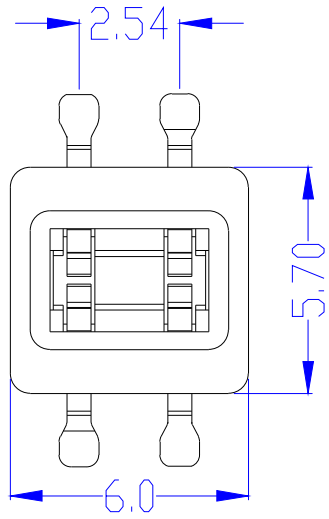

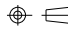


REV	Revision	Drawing/Date	Audit/Date
A	New issue	Zhiwei Xu/06/01/2016	



Without individual tolerance reference					Drawing Categories	Product Diagram	Part No.	*****			Item No.	CM-2035-2	
0.5~3	3~6	6~30	30~120	>120	Dimension units	m m	Drawing No.				Type	SMD Terminal Block	
±0.08	±0.15	±0.20	±0.30	±0.40	Projection Method		Scale	1:1	Page	A4			

