

REV	修订记录	绘图/日期	审核/日期
A	新发行	2015/01/04	

## Material characteristics

Mounting Hardware: Phosphor bronze,  
Tin plating

Plastic Parts: PA9T UL94V-0

## Technical Parameters

Reference standards: UL VDE

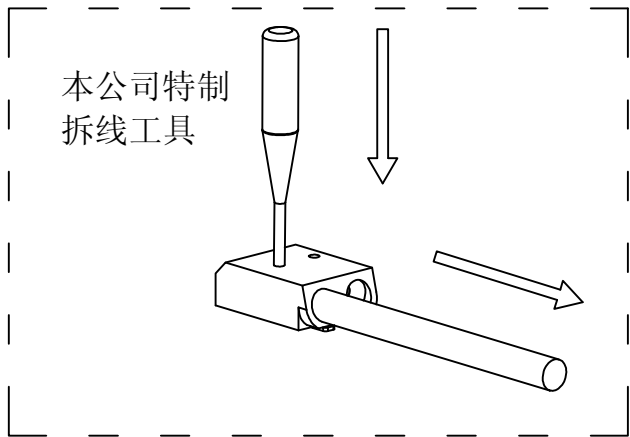
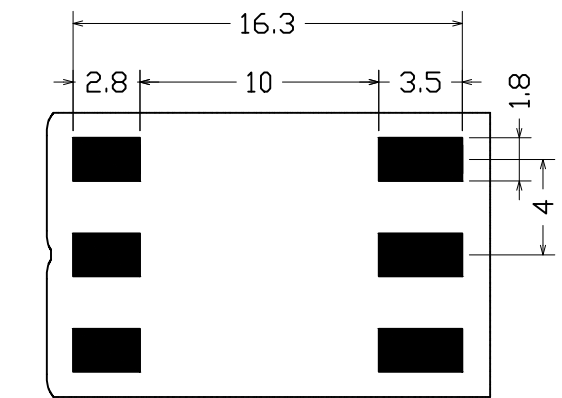
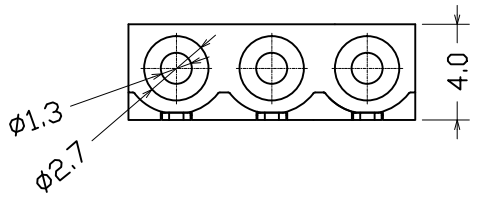
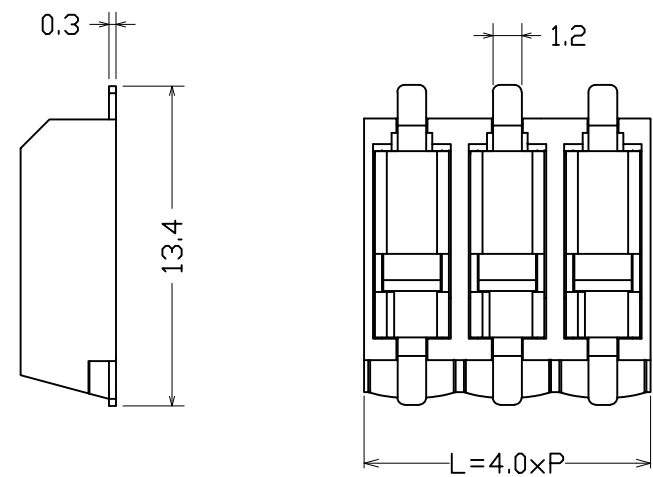
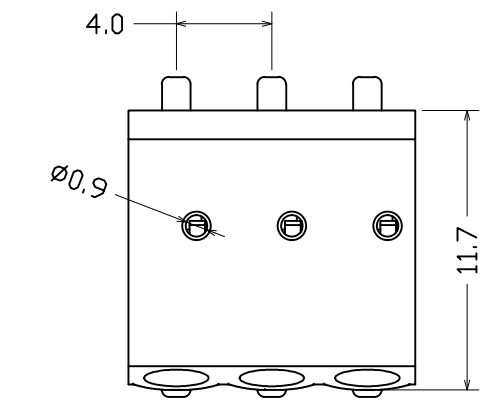
Rated Voltage: 300V 320V/160V

Rated Current: 9A 9A

Wire size: AWG24-18 0.34~0.75mm<sup>2</sup>

## Taping packing

750PCS/R



SMD 3P PCB board welding

Without individual tolerance reference					Drawing Categories	Product Diagram	Part No.	*****	Item No.	CM-2060-3PN	Fucon
0.5~3	3~6	6~30	30~120	>120	Dimension units	mm	Drawing No.	G044-1	Type		
$\pm 0.08$	$\pm 0.15$	$\pm 0.20$	$\pm 0.30$	$\pm 0.40$	Projection Method		Scale	1:1 Page A4		SMD Terminal Block	