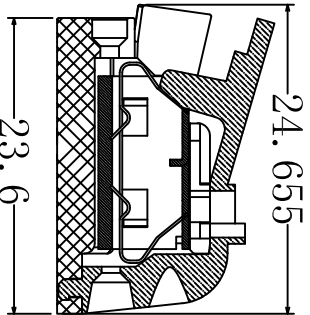
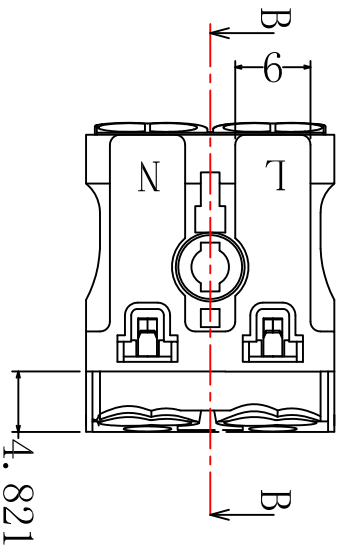
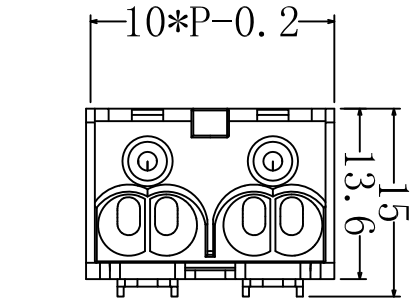


| | | | | |
|-----|------------------|--|--------------------------|------------|
| REV | Revision records | | Drawing/Date | Audit/Date |
| A | New issue | | Zeng Chungen/29 Dec 2015 | |

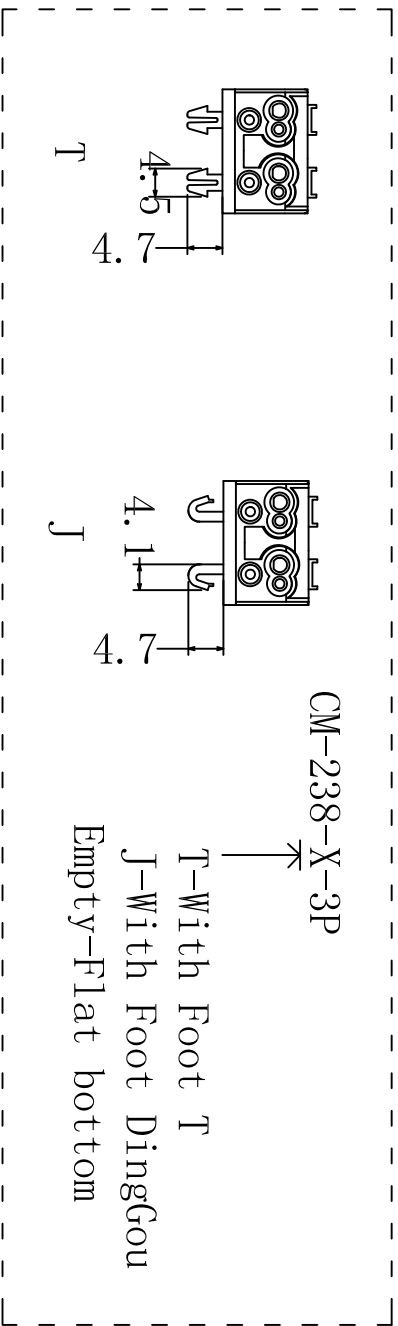


Material characteristics

- Hardware: Brass
- Tin planting
- Shrapnel: stainless steel
- Plastic part: PC UL94V-0

Technical Parameters

| | |
|----------------|---------------------------------|
| VDE | UL |
| Rated Voltage: | 450V 600V |
| Current: | 24A 16A |
| Wire size: | 0.5~2.5mm ² 18~14AWG |



| | | | | | | | |
|--|-------|-------|--------|--------------------|-----------------|-------------|-------------|
| Without individual tolerance reference | | | | Drawing categories | Product diagram | Part No. | ***** |
| 0.5~3 | 3~6 | 6~30 | 30~120 | Dimension units | m m | Drawing No. | G056-1 |
| ±0.08 | ±0.15 | ±0.20 | ±0.30 | Projection method | | Scale | 1:1 Page A4 |

| | | | |
|----------|--------------------|----------------------|--|
| Item No. | CM-238-X-2P | Quick terminal block | |
| Type | | | |