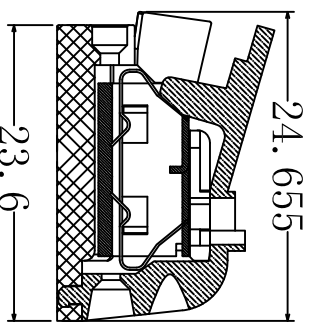
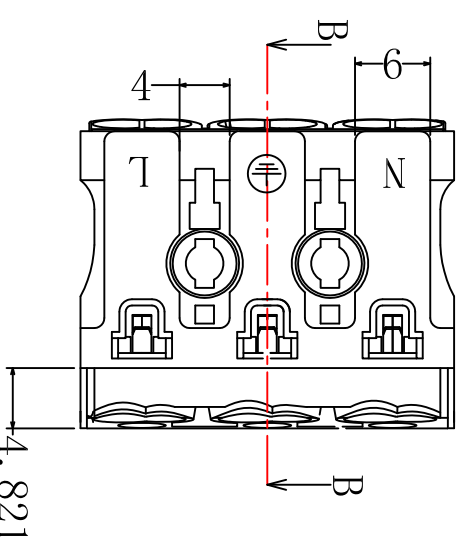
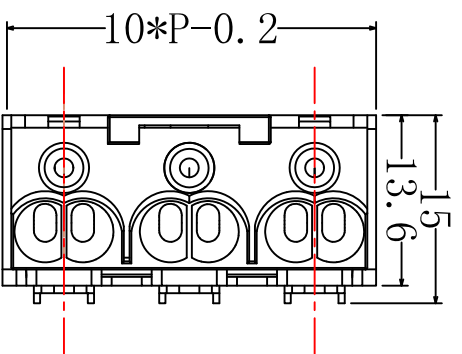


REV	Revision records		Drawing/Date	Audit/Date
A	New Issue		Zeng Chungen /29 Dec 2015	



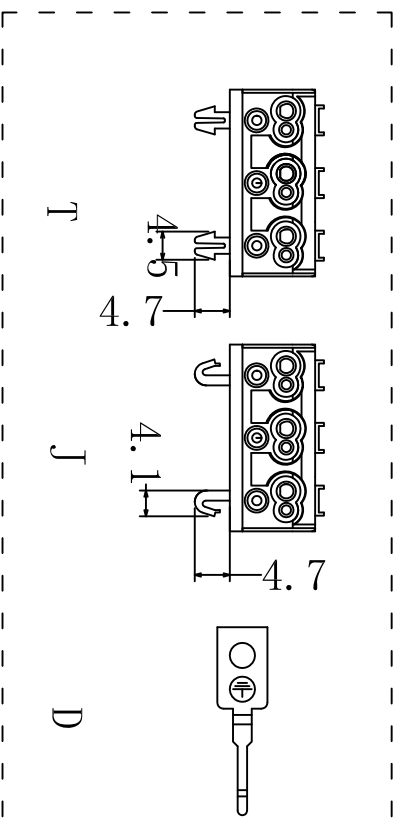
SECTION B-B

Material characteristics

- Hardware: Brass
- Tin planting
- Shrapnel: stainless steel
- Plastic part: PC UL94V-0

Technical Parameters

VDE	UL
Rated Voltage:	450V 600V
Current:	24A 16A
Wire size:	0.5~2.5mm <sup>2</sup> 18~14AWG

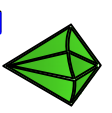


CM-238-X-3P

- T-With foot
- D-With Ground
- J-With foot
- Empty-flat bottom

Without individual tolerance reference				Drawing cetagories	Product dragram	Part No.	*****	
0.5~3	3~6	6~30	30~120	Dimension units	m m	Drawing No.	G056-2	
±0.08	±0.15	±0.20	±0.30	Projection method		Scale	1:1	Page A4

Item No.	CM-238-X-3P
Type	Quick terminal block



Fucon