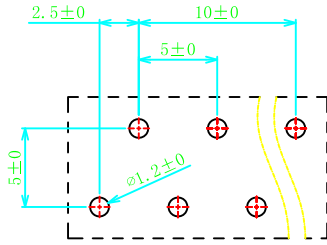
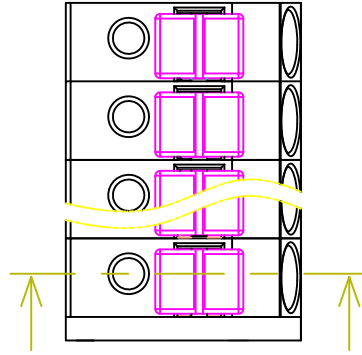


DIM	P	1	2	3
	L	4.0	8.0	12.0

REV	修订记录	绘图/日期	审核/日期
A	新发行	★ M/2014/08/25	

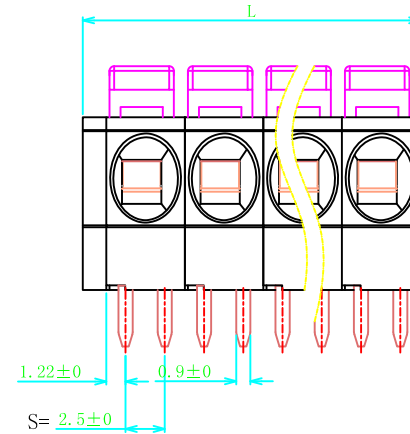
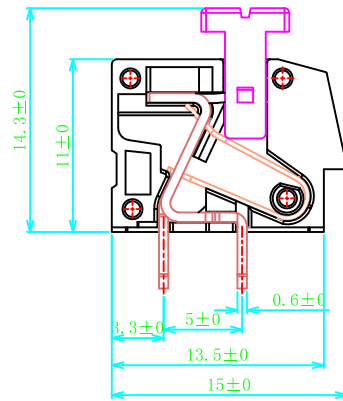
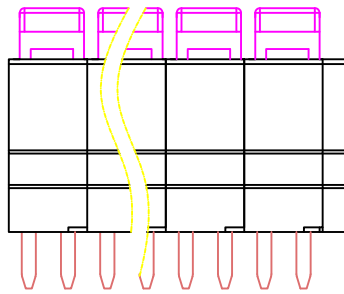


RECOMMEND PCB LAYOUT (TOLERANCE=±0.05)

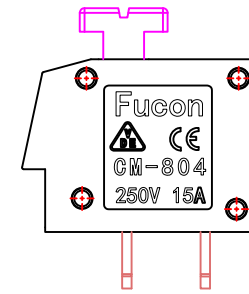


Material characteristes
 Shrapnel: Stainless steel
 Metal pin
 Plastic parts: PA66 UL94V-0

Technical parameter
 IEC
 Rated Voltage: 250V
 Rated Current: 15A
 Wire size: 0.5-2.5mm²



5mm: L= (Poles * S) +1.5mm



DIM	P	2	3	4	5	6	7	8	9	10	11	12
	L	11.5	16.5	21.5	26.5	31.5	36.5	41.5	46.5	51.5	56.5	61.5
TOL (-)		0.10	0.15	0.20	0.25	0.30	0.35	0.40	0.45	0.50	0.55	0.60

Without individual tolerance reference					Drawing Categories	Product Diagram	Part No.	*****	Item No.	CM-804-5.0-XXP		
0.5~3	3~6	6~30	30~120	120以上	Dimension units	mm	Drawing No.	G061	Type	PCB Spring Terminal Block		
±0.08	±0.15	±0.20	±0.30	±0.40	Projection Method		Scale	1:1				

