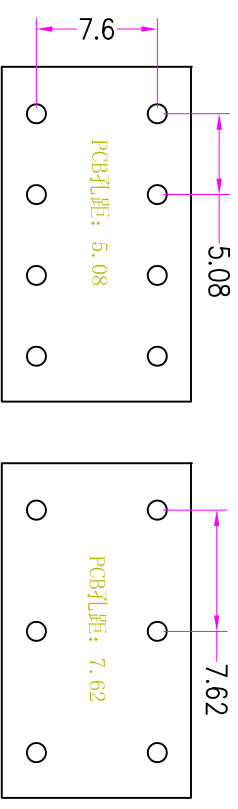
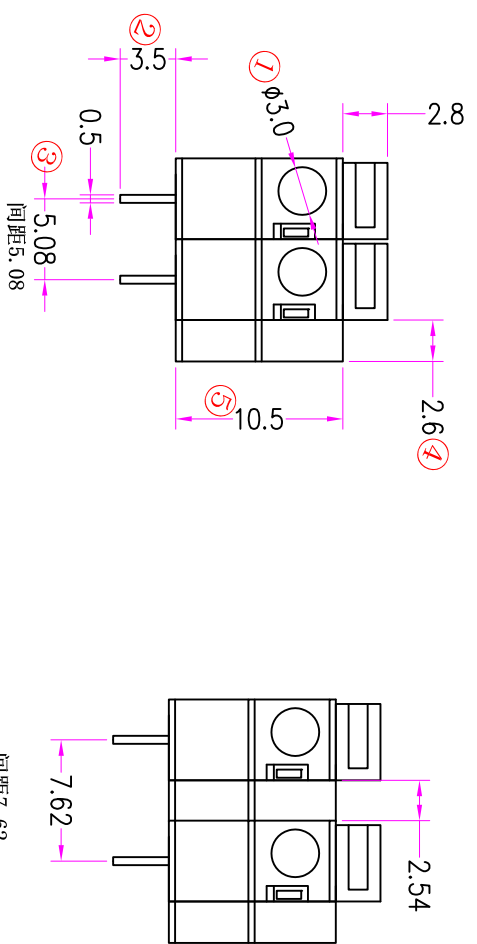


REV	修订记录	绘图/日期	审核/日期
A	新发行	余 旭/2014/08/25	



RECOMMEND PCB LAYOUT (TOLERANCE=±0.1)

- Material characteristics
Pin: Copper
Tin plating
Shrapnel: stainless steel
Plastic parts: PA66 94V-0
- Mechanical properties
temperature range: -40~110°C
trim length: 8~10mm
pitch: 5.08/7.62mm
- Technical parameters

Rated Voltage:	300v (IEC)	300v (UL)
Rated Current:	10A	10A
Wire Size:	1.5mm ²	24-14AWG
Withstand voltage:	AC2000v\1Min	
- Technical requirement:
with "O" is quality control.

Without individual tolerance reference		Drawing Categories		Product Diagram		Part No.		Item No.	
0.5~3	3~6	6~30	30~120	>120	Dimension units	m m	*****	CM-142R-5.08/7.62-XXP	
±0.08	±0.15	±0.20	±0.30	±0.40	Projection Method	◆ □	FUCOM-6047	PCB Spring Terminal Block	
					Scale	1:1	Page	A4	

