

|     |                  |                     |            |
|-----|------------------|---------------------|------------|
| REV | Revision records | Drawing/Date        | Audit/Date |
| A   | New issue        | Yu Chao/25 Apr 2015 |            |

### Mechanical properties

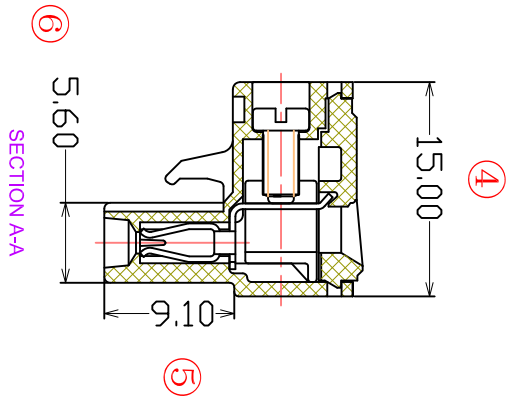
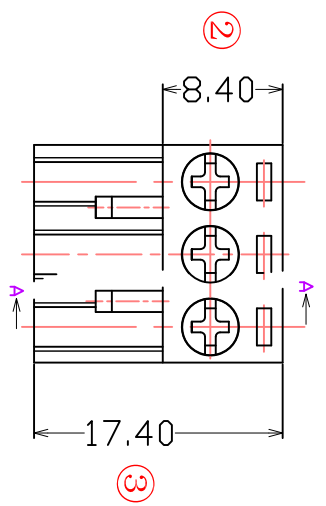
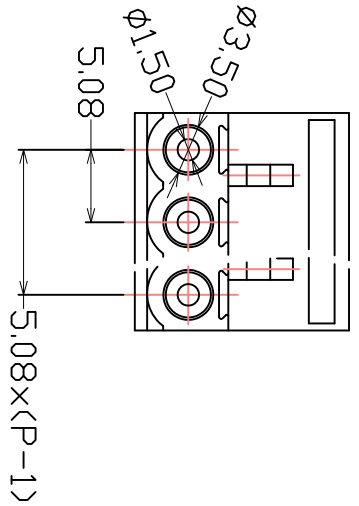
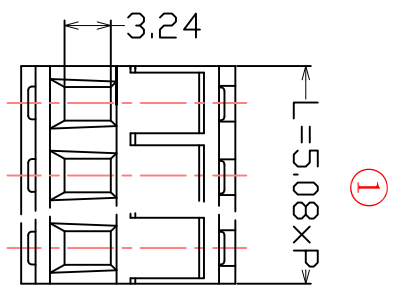
Temperature range: 105°C  
 Trim length: 7~8mm  
 Torque: 0.4N.m

### Technical parameters

(IEC) (UL)  
 Rated Voltage: 320V 300V  
 Rated Current: 20A 15A  
 Wire size: 1.5mm<sup>2</sup> 22-14AWG

### Technical requirements

1. With "O" means quality control ;
2. "P" means poles ;
3. this services product have these pitch  
 3.5、3.81、5.0、7.5、7.62mm;



SECTION A-A

|        |       |       |       |       |       |       |       |       |        |        |        |        |    |
|--------|-------|-------|-------|-------|-------|-------|-------|-------|--------|--------|--------|--------|----|
| DIM    | P     | 2     | 3     | 4     | 5     | 6     | 7     | 8     | 9      | 10     | 11     | 12     |    |
| L      | 10.16 | 15.24 | 20.32 | 25.4  | 30.48 | 35.56 | 40.64 | 45.72 | 50.8   | 55.88  | 60.96  |        |    |
| TOL(±) | 0.06  | 0.08  | 0.10  | 0.10  | 0.12  | 0.14  | 0.16  | 0.17  | 0.19   | 0.21   | 0.23   |        |    |
| DIM    | P     | 13    | 14    | 15    | 16    | 17    | 18    | 19    | 20     | 21     | 22     | 23     | 24 |
| L      | 66.04 | 71.12 | 76.2  | 81.28 | 86.36 | 91.44 | 96.52 | 101.6 | 106.68 | 111.76 | 116.84 | 121.92 |    |
| TOL(±) | 0.25  | 0.27  | 0.29  | 0.31  | 0.32  | 0.34  | 0.36  | 0.38  | 0.40   | 0.42   | 0.44   | 0.46   |    |

| Without individual tolerance reference |       |       |        | Drawing Dimension Projection Method |   | Product Marking |            | Part No. Drawing No. |     | Scale |    |
|--|-------|-------|--------|-------------------------------------|---|-----------------|------------|----------------------|-----|-------|----|
| 0.5~3                                  | 3~6   | 6~30  | 30~120 | >120                                | m | m               | FUCON-6020 | A4                   | 1:1 | A4    | A4 |
| ±0.10                                  | ±0.15 | ±0.20 | ±0.30  | ±0.40                               |   |                 |            |                      |     |       |    |

|          |                        |
|----------|------------------------|
| Item No. | GM-2EDG-R-5.08-X-XXP   |
| Type     | Plug-in Terminal Block |

