

REV	Revision records	drawing/date	audit/date
A	New issue	Yu Chao/25 Agu 2015	

## Material characteristics

Hardware: Copper

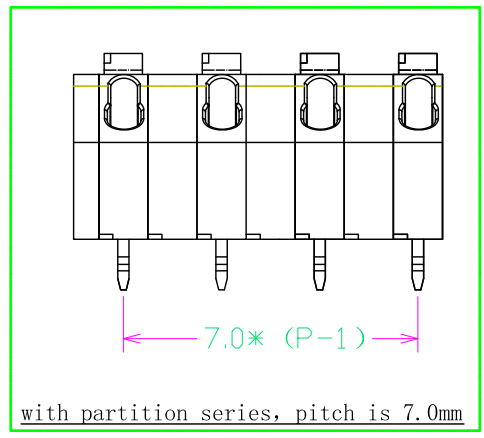
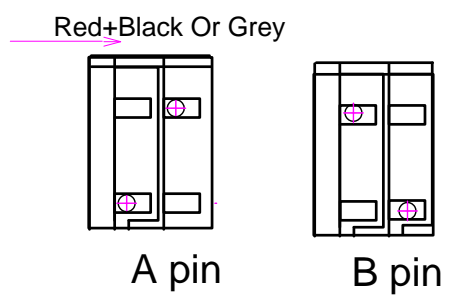
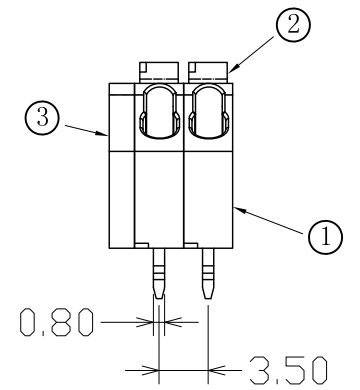
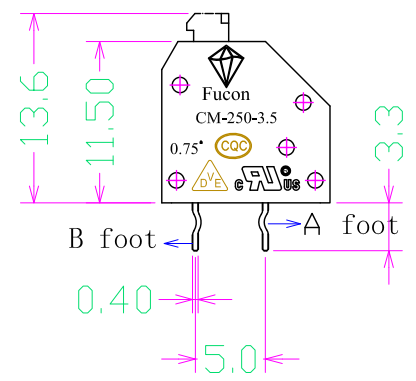
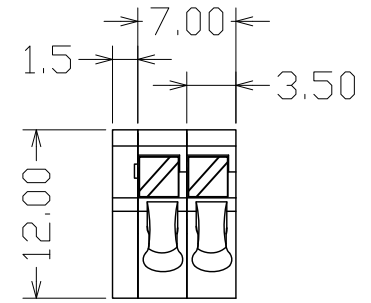
Tin planting

Plastic parts: PA66 UL94V-0

## Technical parameters

	IEC	UL
Rated Voltage:	450V	300V
Rated Current:	5A	2A
Wire size:	0.2-1.5mm <sup>2</sup>	
Temperature range:	-4°C-120°C	
Dielectric strength:	2500V/min	
Insulation Resistance:	500MΩ	

Remark:  
1、‘P’ means poles



Without individual tolerance reference					Drawing Categories	Product Diagram	Part No.	*****	Item No.	CM-250-3.5/7.0-XXB	
0.5~3	3~6	6~30	30~120	>120	Dimension units	m m	Drawing No.	G012-1	Type	PCB Spring Terminal Block	
±0.08	±0.15	±0.20	±0.30	±0.40	Projection Method		Scale	1:1 Page A4			